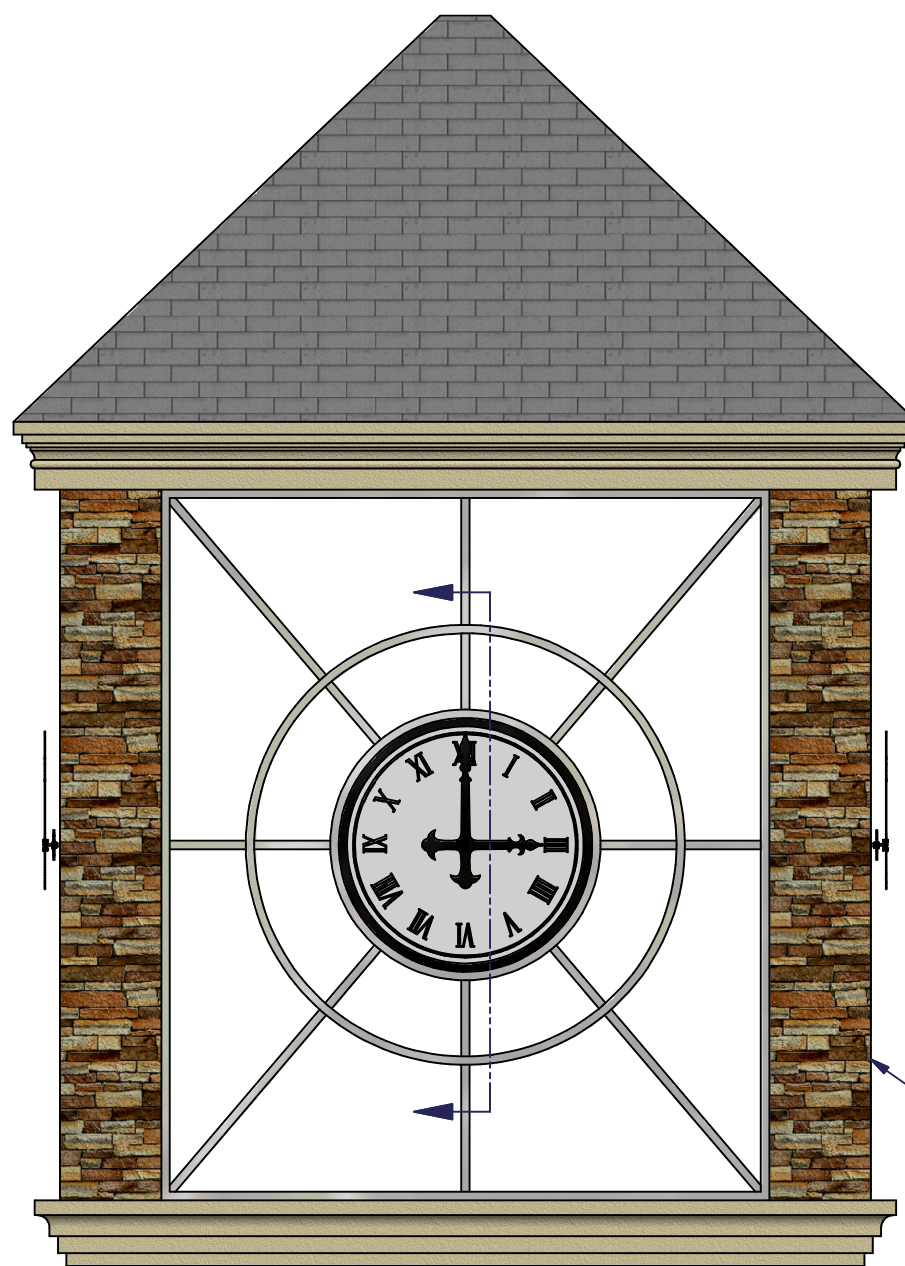
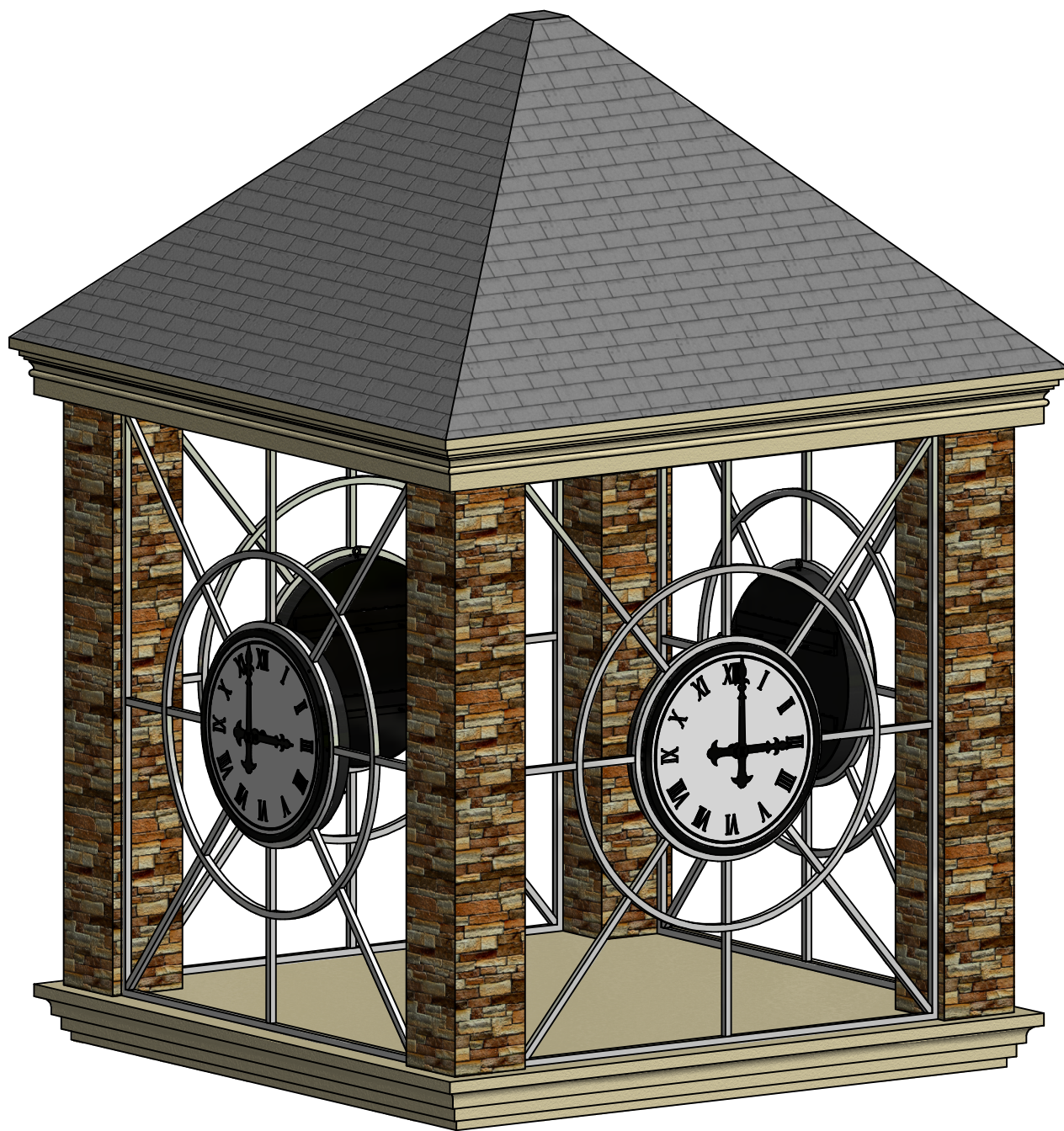


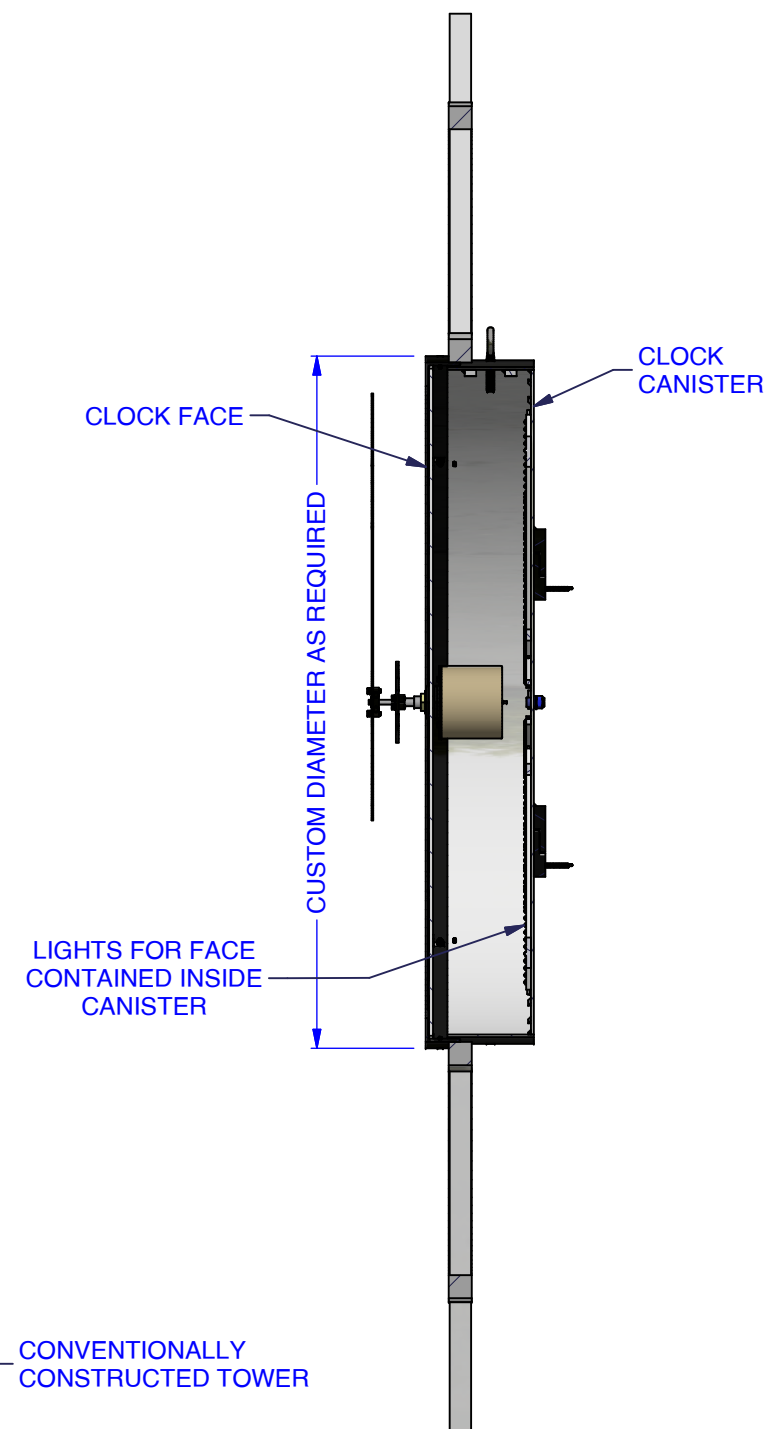
CANISTER CLOCK DRAWING EXAMPLE

NOTES:
 THE PURPOSE OF CANISTERS FOR CLOCKS ARE FOR ARCHITECTURAL IMPACT OR FOR SELF-CONTAINING THE CLOCK EQUIPMENT BEHIND THE FACE.

AS SUCH, THE CANISTER CAN BE TOTALLY INSERTED INTO A CLOCK OPENING, PARTIALLY INSERTED WITH AN ORNAMENTAL FRAMING OF THE CLOCK AGAINST THE BUILDING, OR MOUNTED TOTALLY EXTERNALLY ON THE FACE OF A BUILDING OR TOWER WALL, DEPENDING ON YOUR DESIRES OR NEEDS.



TYPICAL ELEVATION



SECTION A-A

NO.	DATE	BY	REVISION



THIS DRAWING AND ALL MATTERS CONTAINED HEREIN ARE CONFIDENTIAL AND ARE THE PROPERTY OF CHRISTOPH PACCARDI AND SHALL NOT BE DISCLOSED TO OTHERS, COPIED, REPRODUCED OR USED IN WHOLE OR IN PART IN ANY MANNER WHATSOEVER EXCEPT WITH THE PRIOR WRITTEN AUTHORIZATION OF CHRISTOPH PACCARDI.

SALES@TOWERCLOCKSUSA.COM
1-843-822-8145

DATE:	4/2/2019
DRAWN BY:	Drew Hawk
DRAWING:	TC Drawing 3
SHEET NO.:	1 OF 1