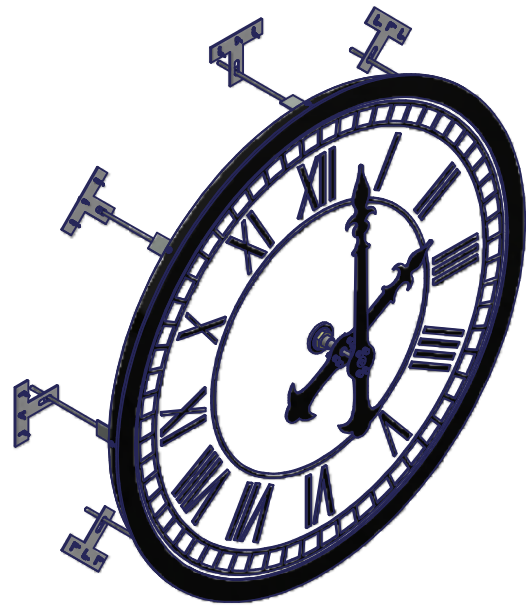
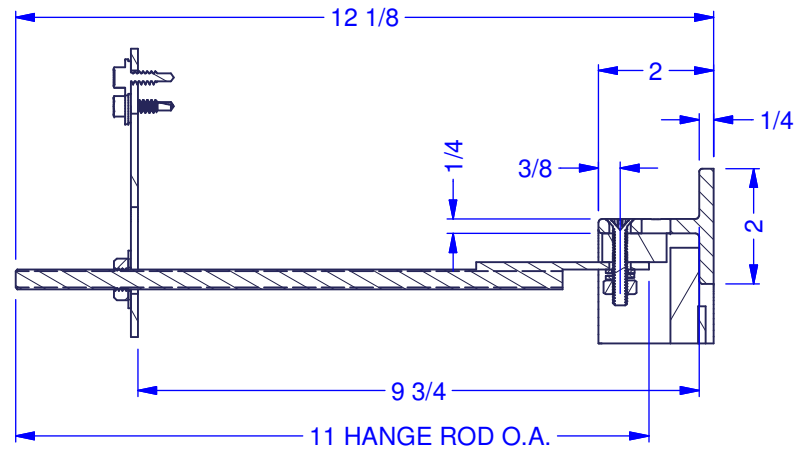


NOTES:

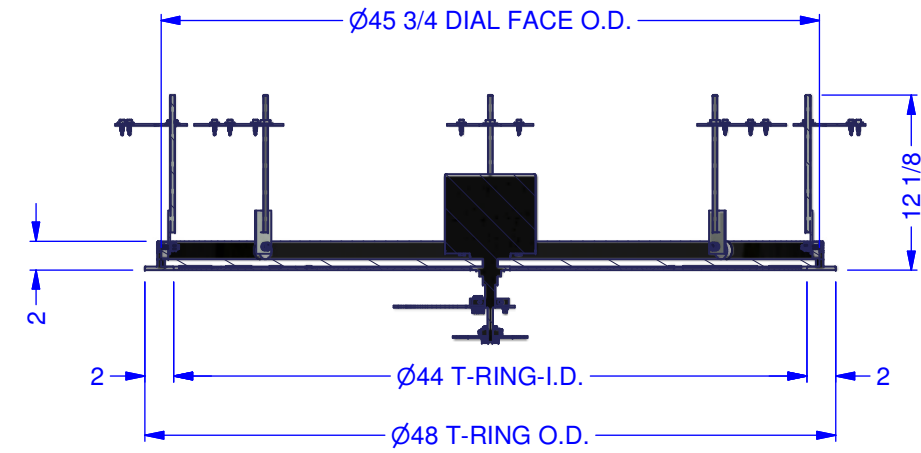
This is an example drawing only of one size of a Traditional Backlit Tower Clock; please review for mounting method information only.



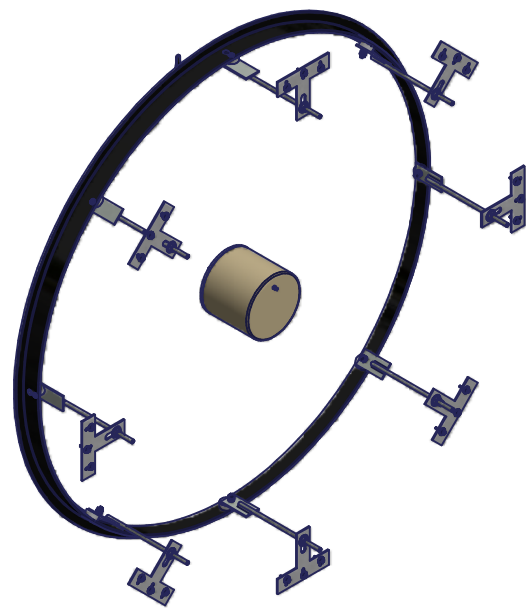
ISOMETRIC FRONT VIEW
(4)-UNITS REQ'D.



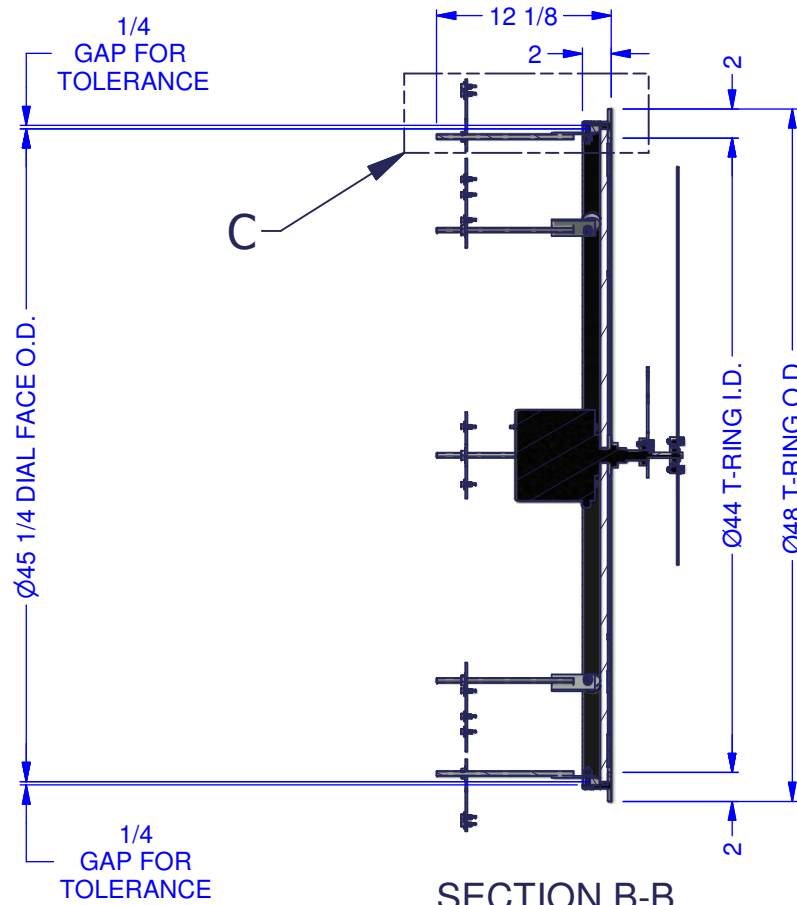
DETAIL C



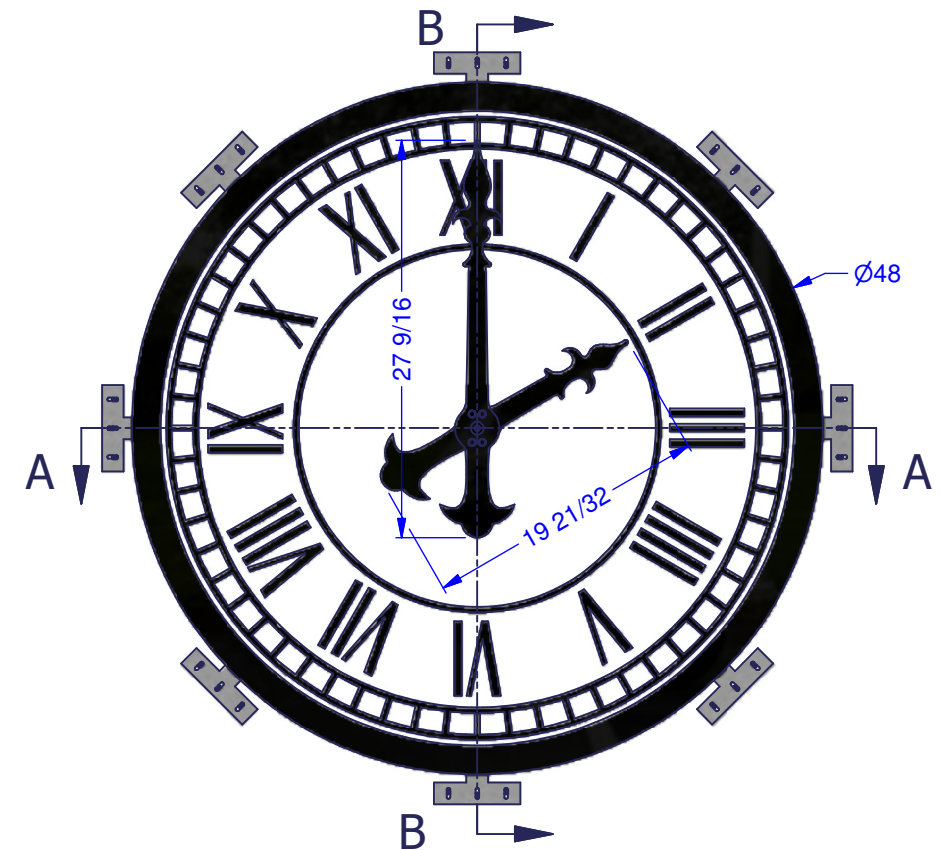
SECTION A-A



ISOMETRIC REAR VIEW



SECTION B-B



FRONT ELEVATION

NO.	DATE	BY	REVISION



Der Turmplatz Clock Project

THIS DRAWING AND ALL MATTERS CONTAINED HEREIN ARE CONFIDENTIAL AND ARE THE PROPERTY OF CHRISTOPH PACCARD AND SHALL NOT BE DISCLOSED TO OTHERS, COPIED, REPRODUCED OR USED IN WHOLE OR IN PART IN ANY MANNER WHATSOEVER EXCEPT WITH THE PRIOR WRITTEN AUTHORIZATION OF CHRISTOPH PACCARD.

48"O.D. THROUGH WALL CLOCK NO BACK LIGHTING

DATE:	
DRAWN BY:	Jerry Quick
DRAWING:	
SHEET NO.:	1 OF 1