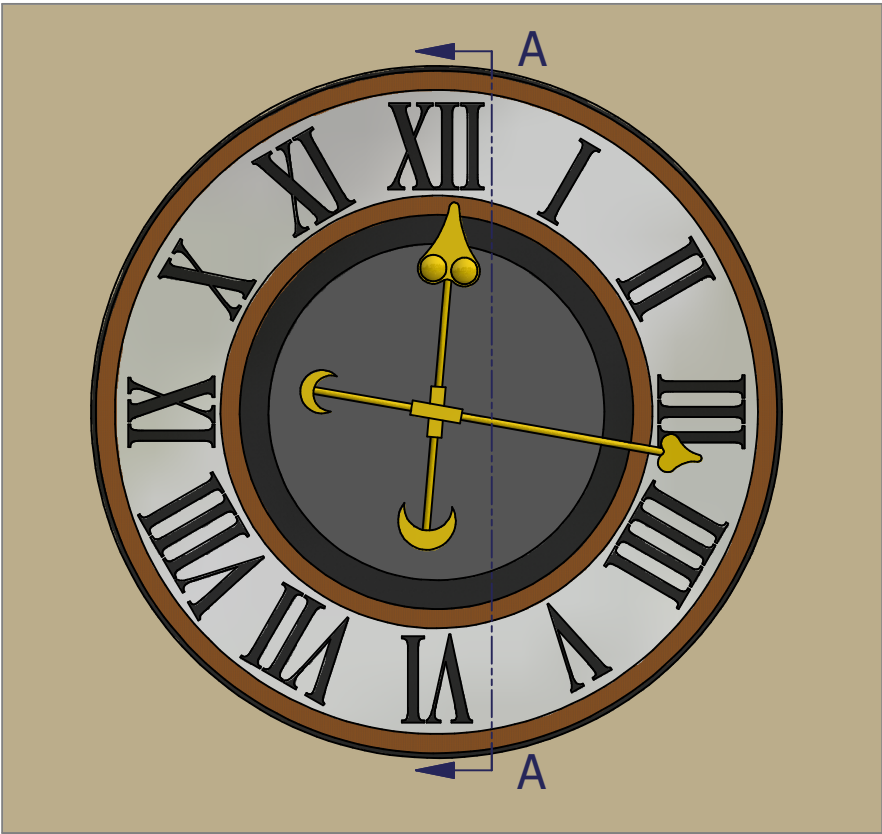




BAROQUE ARCHITECTURAL CLOCK EXAMPLE

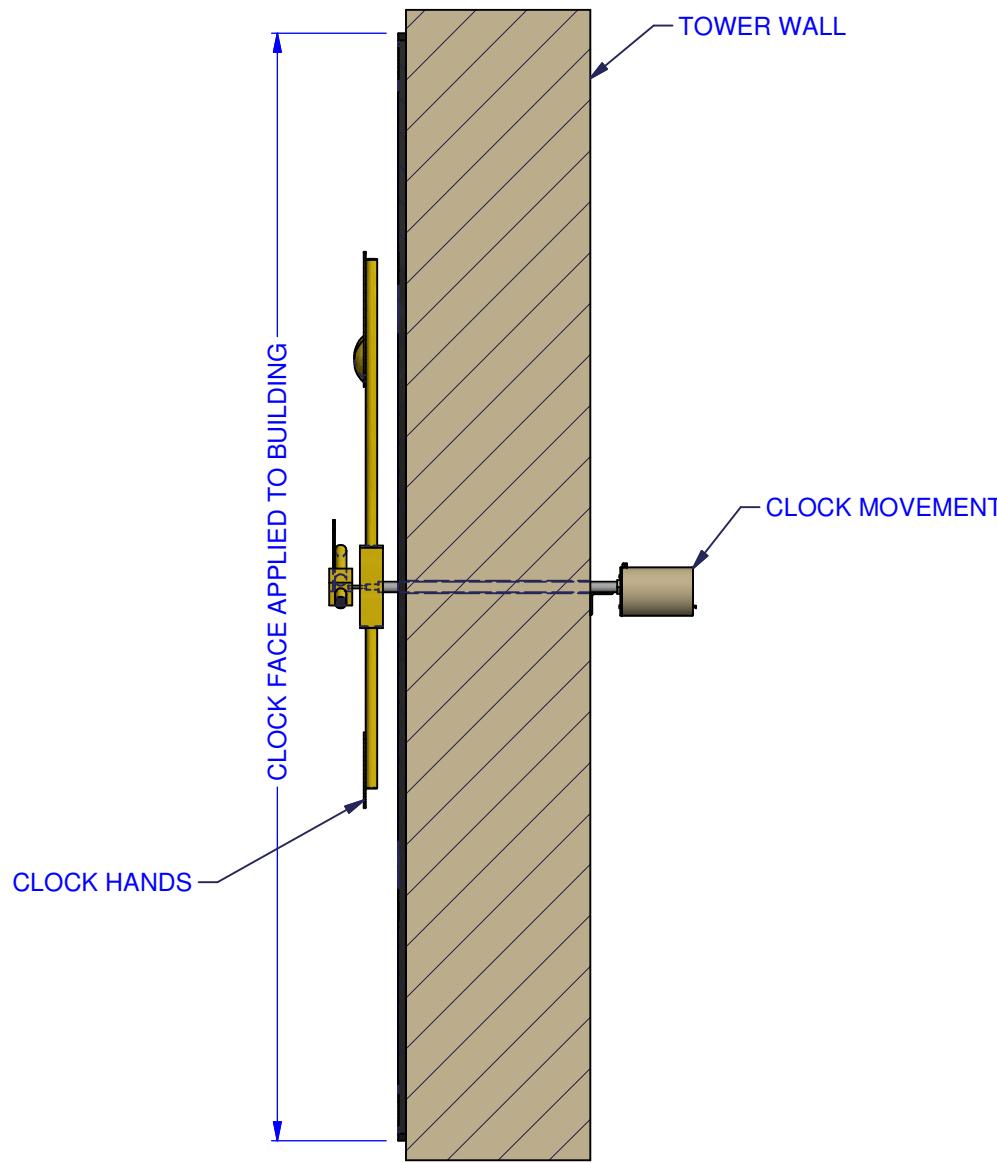


NOTES:
 A BAROQUE ARCHITECTURAL CLOCK IS HIGHLY ORNATE; INVOLVES THE USE OF HIGH IMPACT COLORS, GOLD LEAF, HAMMERED COPPER HANDS WHICH ARE GOLD LEAFED FOR MAXIMUM VISUAL IMPACT.

AN OLD WORLD STYLING, THE CLOCKS MORE OFTEN THAN NOT ARE ALSO BORDERED BY ORNAMENTATION ON THE BUILDING OR TOWER WALL FRAMING THE CLOCK.

THESE CLOCKS ARE NOT BACKLIT, BUT MAY BE FRONT LIT, THEY ARE NORMALLY MOUNTED DIRECTLY ONTO THE SOLID FACE OF A BUILDING OR TOWER WALL..

THE COLORS AND COLOR PATTERNS OF THE CLOCK ARE CUSTOM PER CUSTOMER SELECTION.



SECTION A-A
 SECTION THRU TOWER WALL

NO.	DATE	BY	REVISION



THIS DRAWING AND ALL MATTERS CONTAINED HEREIN ARE CONFIDENTIAL AND ARE THE PROPERTY OF CHRISTOPH PACCARD AND SHALL NOT BE DISCLOSED TO OTHERS, COPIED, REPRODUCED OR USED IN WHOLE OR IN PART IN ANY MANNER WHATSOEVER EXCEPT WITH THE PRIOR WRITTEN AUTHORIZATION OF CHRISTOPH PACCARD.

SALES@TOWERCLOCKSUSA.COM
TOLL FREE: 1-888-223-8790

DATE:	4/3/2019
DRAWN BY:	Drew Hawk
DRAWING:	TC Drawing4
SHEET NO.:	1 OF 1